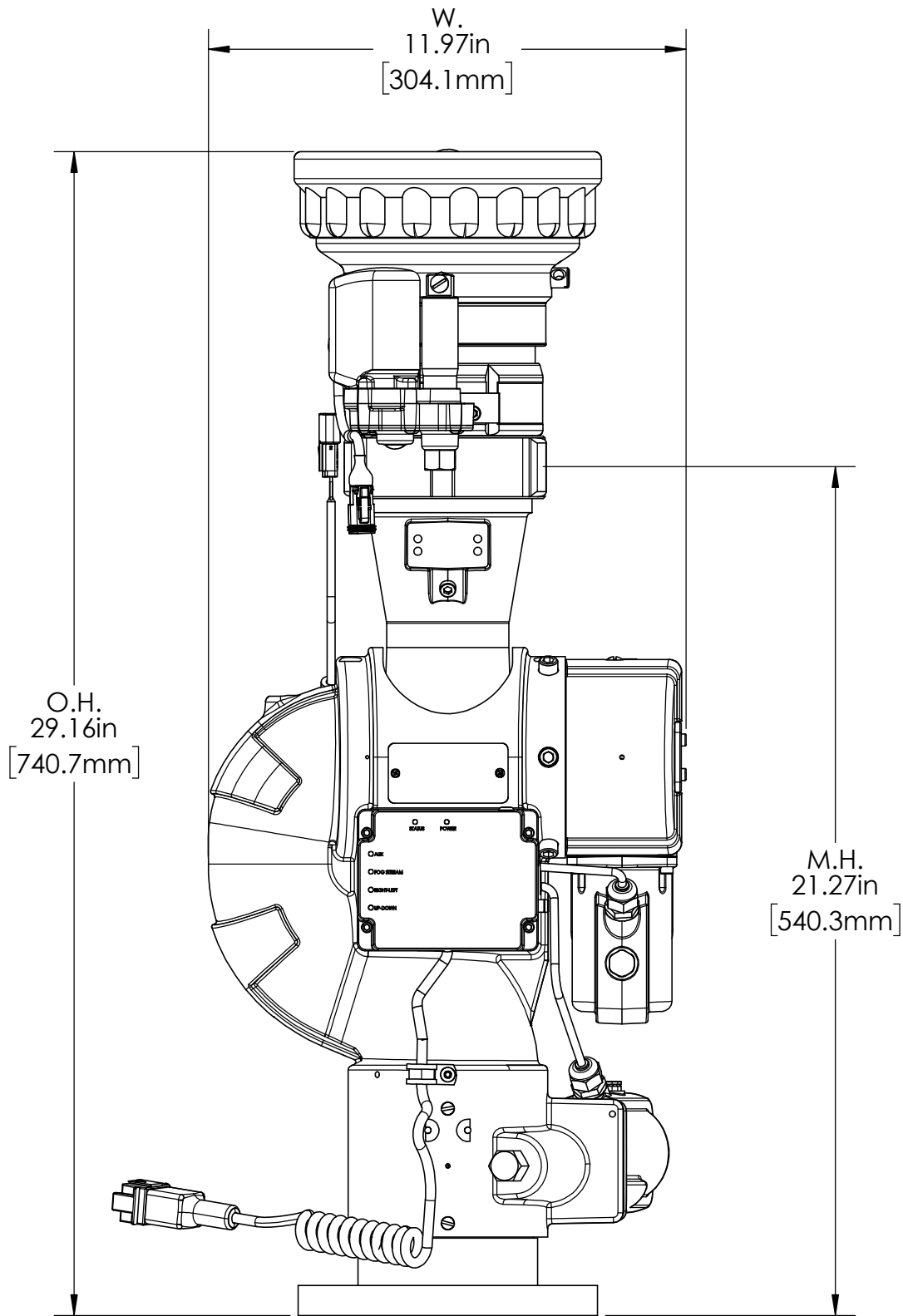



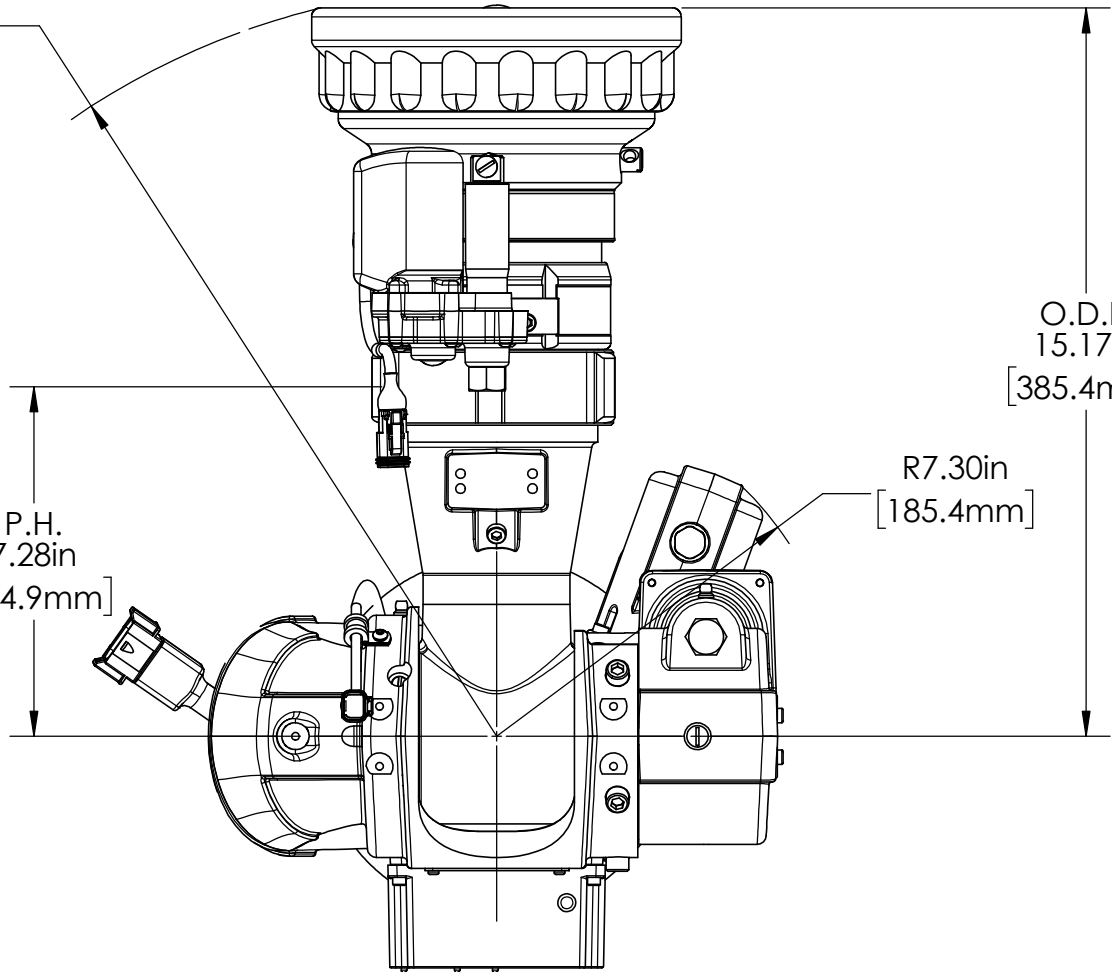
THIS DRAWING CONTAINS INFORMATION THAT IS PROPRIETARY TO ELKHART BRASS MFG CO., INC. AND MAY NOT BE USED TO PRODUCE ANY PARTS, ASSEMBLIES OR PRODUCTS DESCRIBED HEREIN WITHOUT EXPRESS WRITTEN PERMISSION



 <b>ELKHART BRASS</b> Fire Fighting Equipment	
THIS DRAWING CONTAINS INFORMATION THAT IS PROPRIETARY TO ELKHART BRASS MFG CO., INC. AND MAY NOT BE USED TO PRODUCE ANY PARTS, ASSEMBLIES OR PRODUCTS DESCRIBED HEREIN WITHOUT EXPRESS WRITTEN PERMISSION	
7250x2 to sd dim PAGE 2 OF 5 11/2019	BACK VIEW DIMENSIONAL

R15.61in  
[396.5mm]

P.H.  
7.28in  
[184.9mm]



O.D.L.  
15.17in  
[385.4mm]

R7.30in  
[185.4mm]

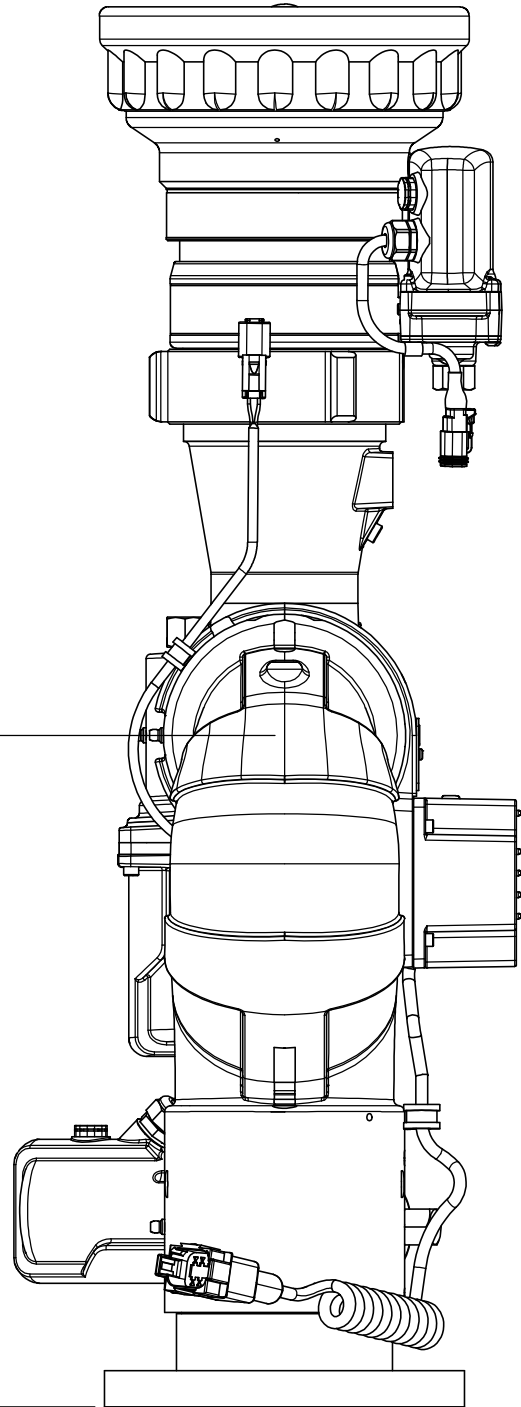
 **ELKHART BRASS**  
Fire Fighting Equipment

THIS DRAWING CONTAINS INFORMATION THAT IS  
PROPRIETARY TO ELKHART BRASS MFG CO., INC.  
AND MAY NOT BE USED TO PRODUCE ANY PARTS,  
ASSEMBLIES OR PRODUCTS DESCRIBED HEREIN  
WITHOUT EXPRESS WRITTEN PERMISSION

7250x2 to sd dim  
PAGE 3 OF 5  
11/06/2019

XXXXXX  
DRAWING

Ver. 1.0



P.H.  
13.99in  
[355.3mm]

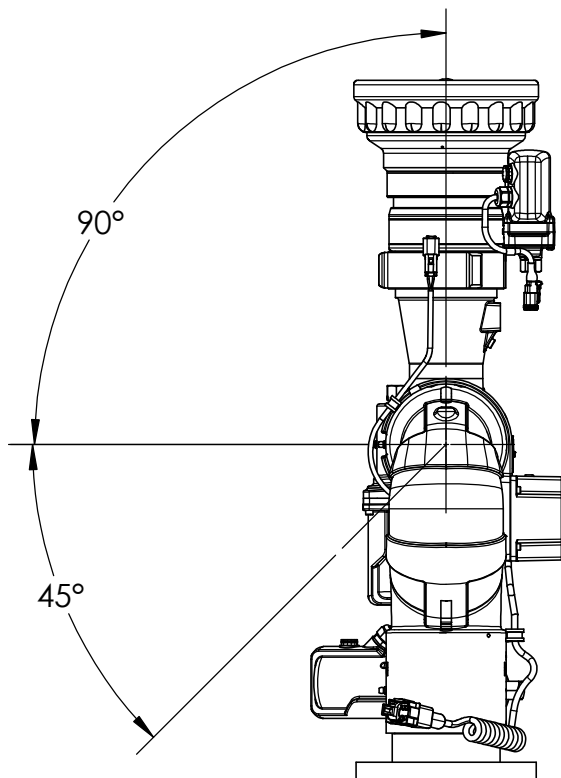
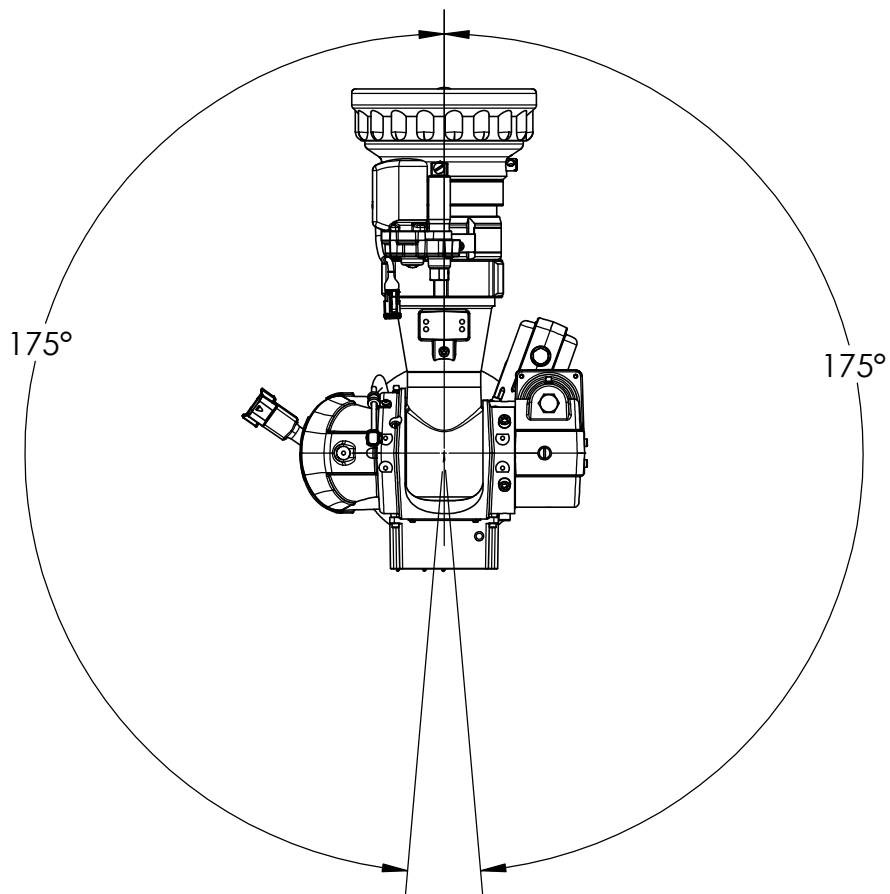



THIS DRAWING CONTAINS INFORMATION THAT IS PROPRIETARY TO ELKHART BRASS MFG CO., INC. AND MAY NOT BE USED TO PRODUCE ANY PARTS, ASSEMBLIES OR PRODUCTS DESCRIBED HEREIN WITHOUT EXPRESS WRITTEN PERMISSION

7250x2 to sd dim  
PAGE 4 OF 5  
11/06/2019

SIDE VIEW  
DIMENSIONAL

Ver. 1.0



 <b>ELKHART BRASS</b> Fire Fighting Equipment	
<small>THIS DRAWING CONTAINS INFORMATION THAT IS PROPRIETARY TO ELKHART BRASS MFG CO., INC. AND MAY NOT BE USED TO PRODUCE ANY PARTS, ASSEMBLIES OR PRODUCTS DESCRIBED HEREIN WITHOUT EXPRESS WRITTEN PERMISSION</small>	
<small>7250x2 to sd dim PAGE 5 OF 5 11/06/2019</small>	<small>RANGE OF MOTION</small>